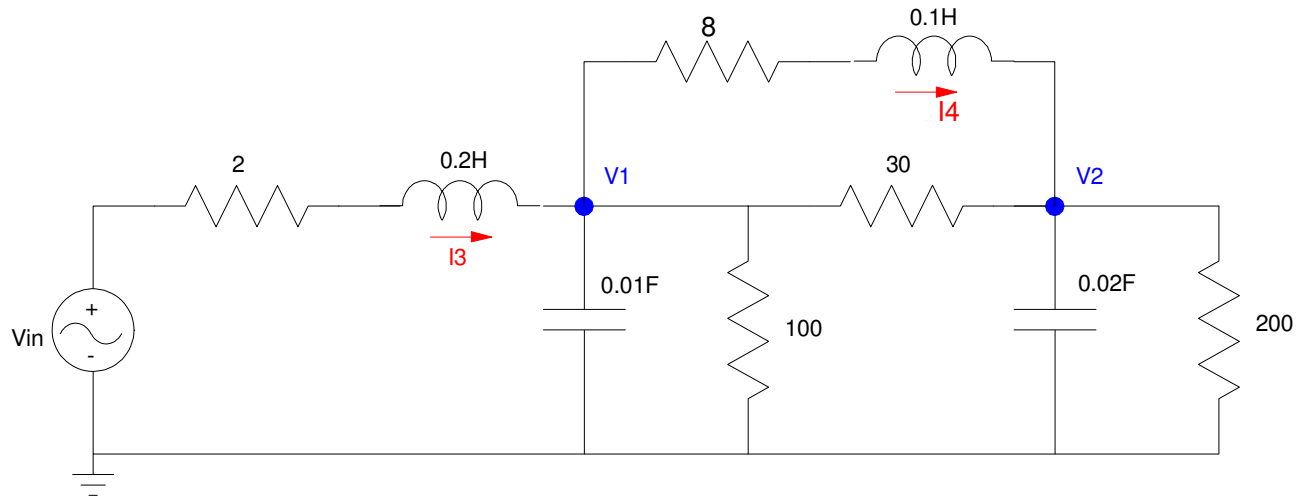


# ECE 461/661 Handout #14

## Dynamics for Electrical Circuits

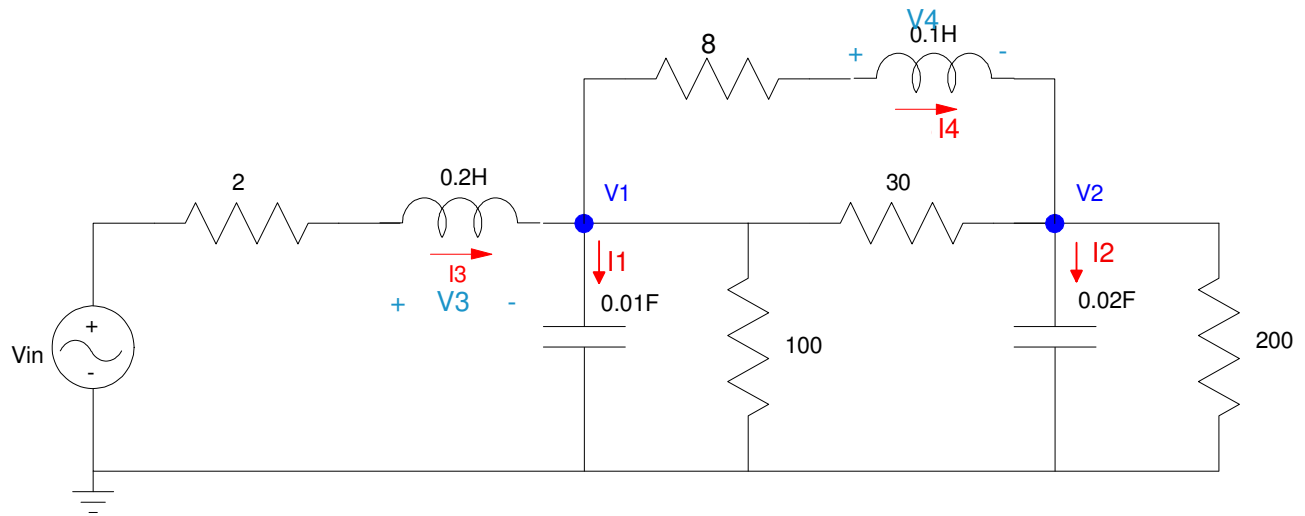
Write the differential equations for the following RLC circuit



# Dynamics for Electrical Circuits

ECE 461/661 - Handout for Lecture #14

Write the differential equations for the following RLC circuit



$$I_1 = 0.01 \dot{V}_1 = I_3 - I_4 - \frac{V_1}{100} - \left( \frac{V_1 - V_2}{30} \right)$$

$$I_2 = 0.02 \dot{V}_2 = \left( \frac{V_1 - V_2}{30} \right) + I_4 - \left( \frac{V_2}{200} \right)$$

$$V_3 = 0.2 \dot{I}_3 = V_{in} - 2I_3 - V_1$$

$$V_4 = 0.1 \dot{I}_4 = V_1 - 8I_4 - V_2$$