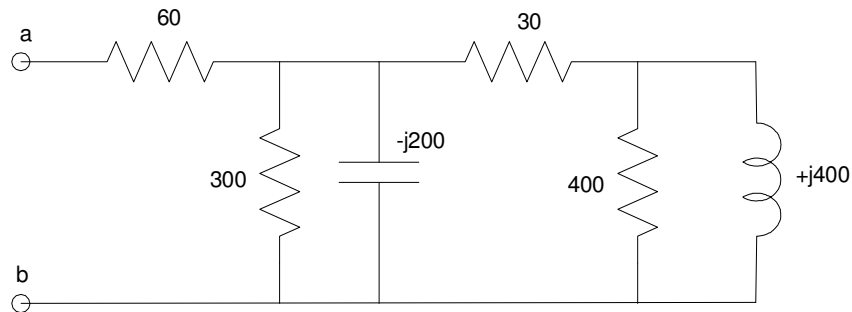


ECE 320 - Homework #1

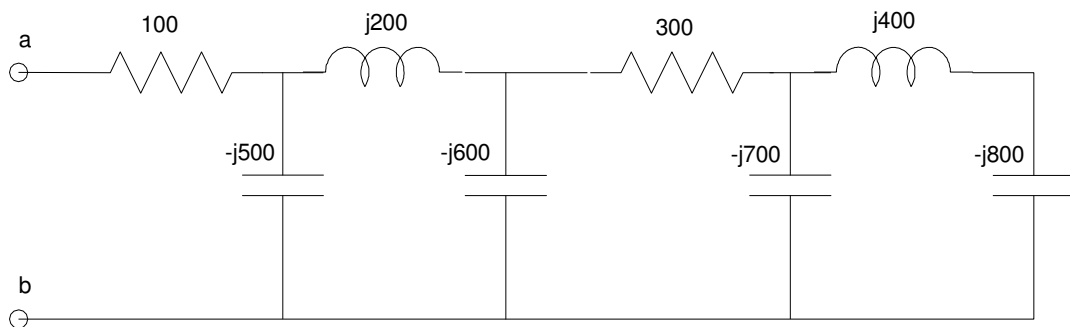
EE 206 Review, Phasors. Due Wednesday, January 18th
Please submit as a hard copy or submit on BlackBoard

Resistors in series and parallel

1) Determine the impedance: Z_{ab}



2) Assume $-jX = -j100$. Determine the resistance R_{ab} (it will be a complex number)



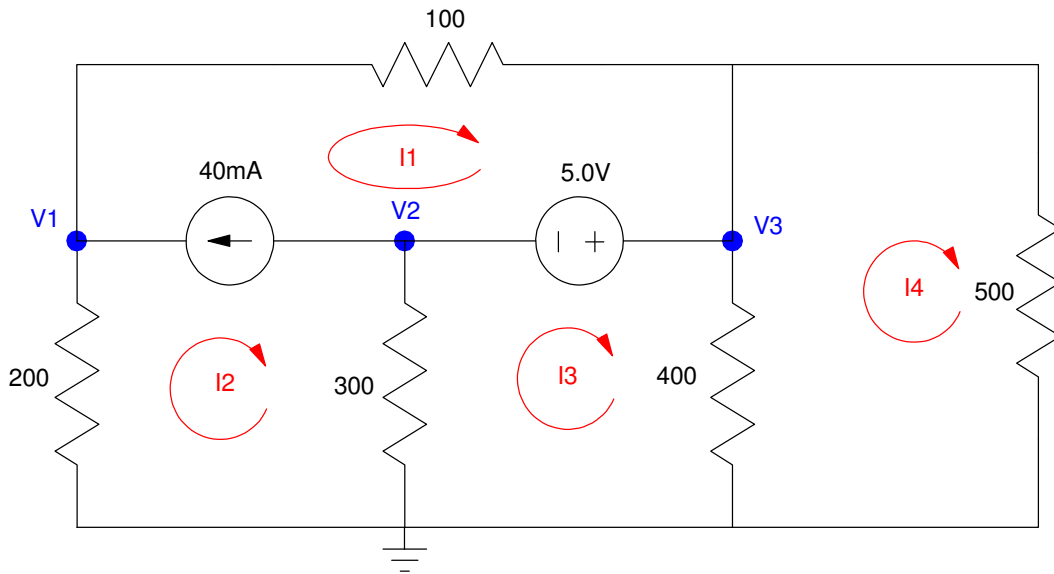
Voltage Nodes & Current Loops

3) (Voltage Nodes): For the following circuit

- a) Write the voltage node equations
- b) Solve using Matlab (or similar program)
- c) Check your answers in CircuitLab (or similar circuit simulator)

4) (Current Loops) For the following circuit

- a) Write the current loop equations
- b) Solve using Matlab (or similar program)
- c) Check your answers in CircuitLab (or similar circuit simulator)



Problem 3 & 4

5) Assume V_{in} contains a DC and AC signal:

$$V_1 = 10 + 4 \sin(600t)$$

- a) Determine the voltage, V_2 , using phasor analysis
- b) Check your answer using CircuitLab (or similar program)

