

ECE 320 - Homework #6

H-Bridge, DC to DC Converters. Due Monday, Feb 22nd

H-Bridges:

The following circuit is 1/2 of an H-bridge. (the mirror image (minus the 2.5V supply) is repeated to the right for a full H-bridge). Also note: the 50 Ohm & 2.5V source is the Thevenin equivalent of two 100 Ohm resistors (shown to the right). The circuit to the right is easier to build and is equivalent to the part shown in purple.

1) Determine the voltages and currents for the following 1/2 H-bridge for

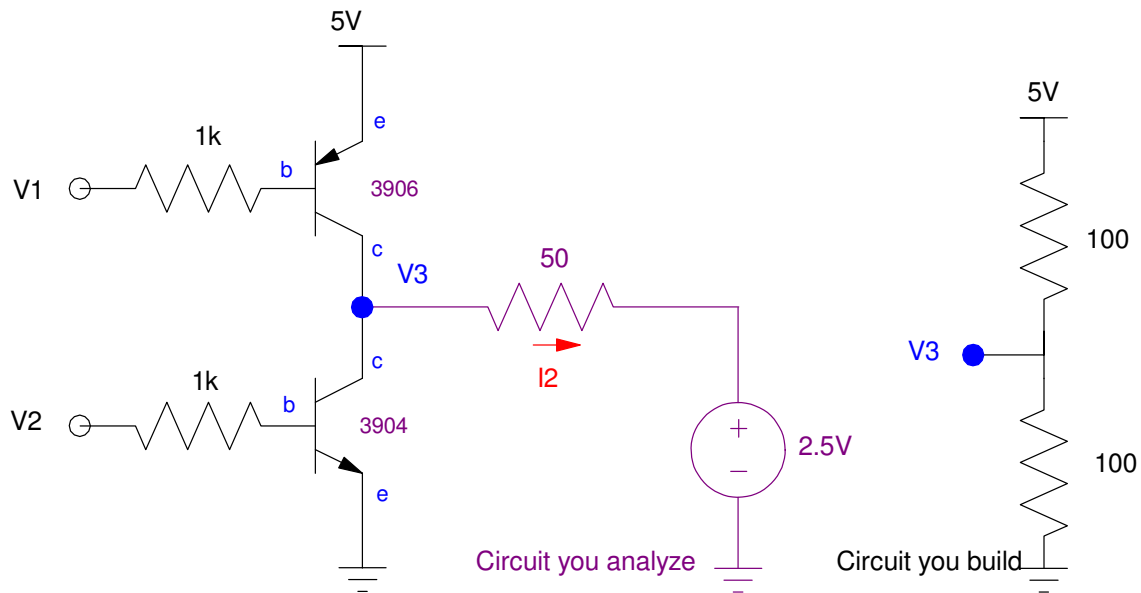
- $V_1 = 0V, V_2 = 0V$
- $V_1 = 5V, V_2 = 5V$
- $V_1 = 5V, V_2 = 0V$

Assume 3904/3906 transistors

- $|V_{be}| = 0.7V$
- current gain = 100
- $V_{ce(sat)} = 0.2V$

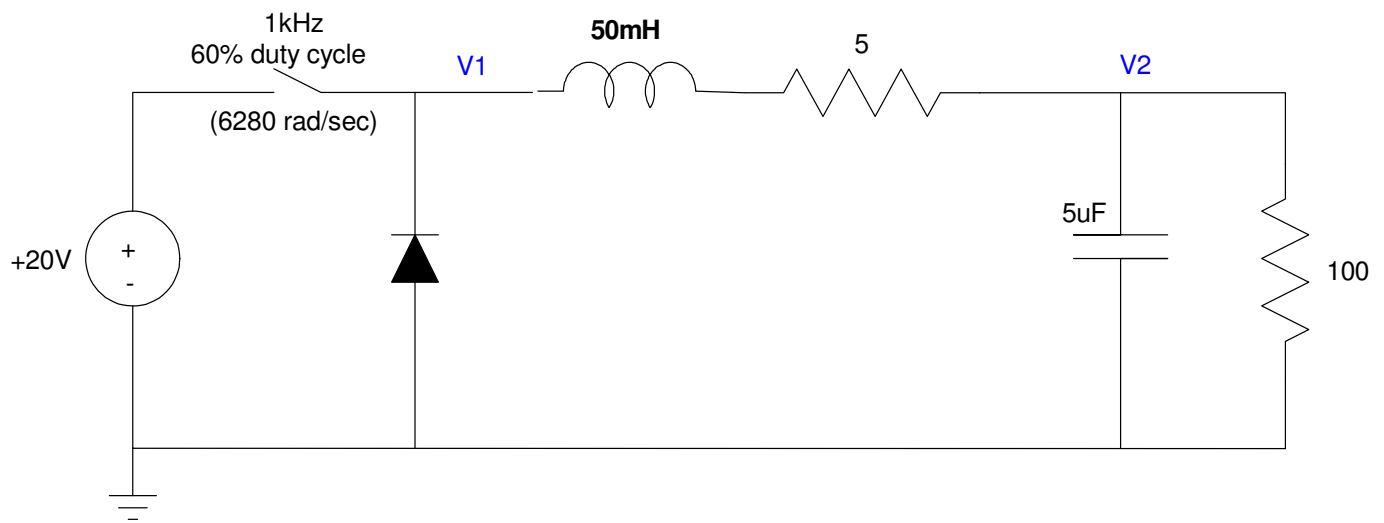
2) Check your results (voltages and currents) in CircuitLab

3) **Lab:** Build this circuit and measure the voltages and currents. (note: it's OK to compute the currents from the measured voltages).



DC to DC Converters

- 4) Determine the voltages (both DC and AC) for V1 and V2.
- 5) Simulate the circuit in CircuitLab and determine V2 (DC and AC)
- 6) Change the duty cycle and C so that
 - The DC voltage at V2 = 5.00V
 - The ripple at V2 is 1Vpp
- 7) Check your results for problem #6 in CircuitLab



DC to DC Converter (problems 4 - 6)