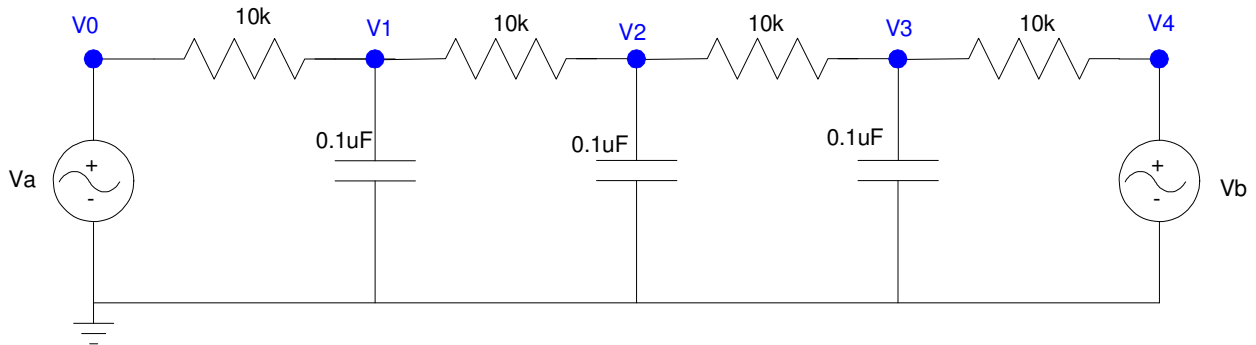


EE 206: Lab #11

Superposition with Phasors

Build the following circuit



- 1) Measure V0 .. V4 (amplitude and phase) with
 - $V_a = 5 \cos(628t)$ *5Vp, 100Hz sine wave*
 - $V_b = 0V$
- 2) Measure V0 .. V4 (amplitude and phase) with
 - $V_a = 0V$
 - $V_b = 5 \cos(6280t)$ *5Vp, 1kHz sine wave*
- 3) Measure V0 .. V4 (amplitude and phase) with
 - $V_a = 5 \cos(628t)$
 - $V_b = 5 \cos(6280t)$

Do the results add up?

	$V_a = 5 \cos(628t)$ $V_b = 0V$	$V_a = 0V$ $V_b = 5 \cos(6280t)$	$V_a = 5 \cos(628t)$ $V_b = 5 \cos(6280t)$
V0			
V1			
V2			
V3			
V4			

