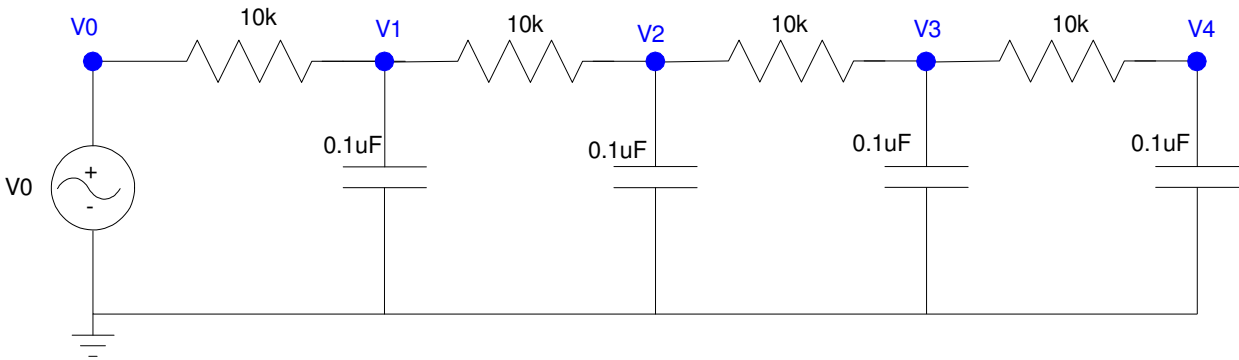


EE 206: Lab #10

Phasors and Multi-Stage RC Circuits

Build the following circuit



1) Determine the phasor impedance of each element assuming

$$V_0 = 5 \cos(628t) \quad 5V \text{ peak, } 100Hz \text{ sine wave}$$

2) Write the voltage node equations and solve for V1 .. V4 in phasor form

3) Simulate this circuit in PartSim (or similar program)

4) Build this circuit and measure the voltages at V1 .. V4 (amplitude and phase)

	Calculated	Simulated	Measured
V0	$5 + j0$		
V1			
V2			
V3			
V4			