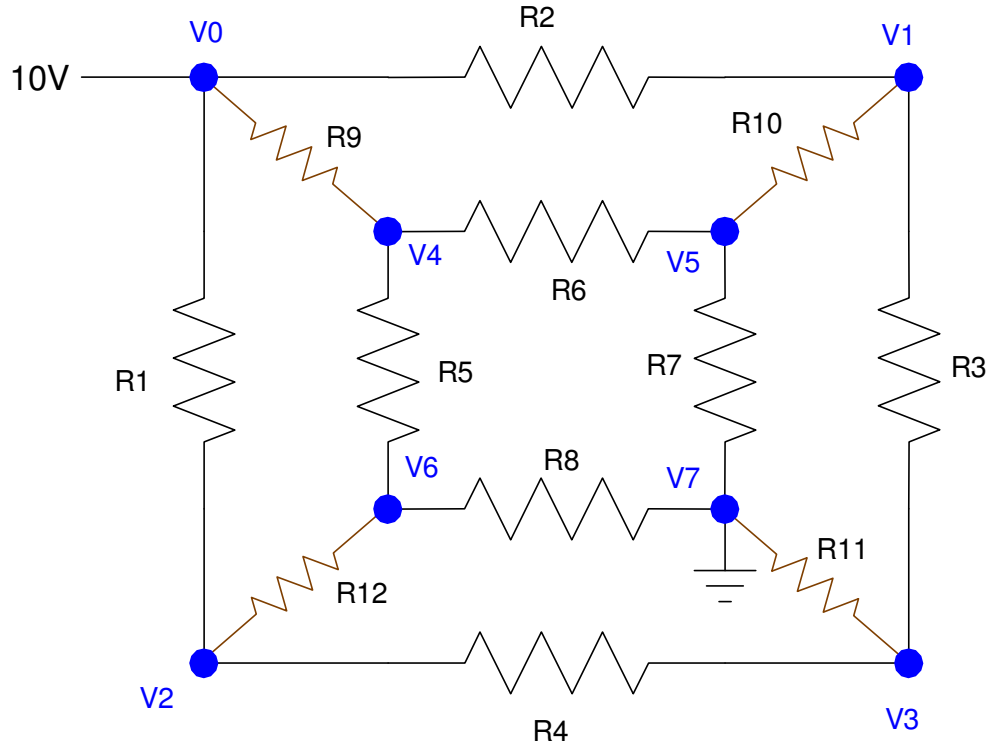


EE 206: Lab #3

Voltage Nodes: 2 people per group

Using the resistor cube you built last week, attach +10V to one corner and 0V to the other corner



Record the resistor values (should be the same as you used in Lab 1)

R1	R2	R3	R4	R5	R6
R7	R8	R9	R10	R11	R12

- 1) Write the voltage node equations for this circuit
- 2) Solve for $V_0 \dots V_7$
- 3) Using PartSim, simulate this circuit and determine the currents $V_0 \dots V_7$
- 4) Apply +10V and 0V to your circuit and measure the voltages

Node	Lab #2 - Voltage Nodes		
	Calculated	Simulated	Measured
0	10V		
1			
2			
3			
4			
5			
6			
7	0V		