

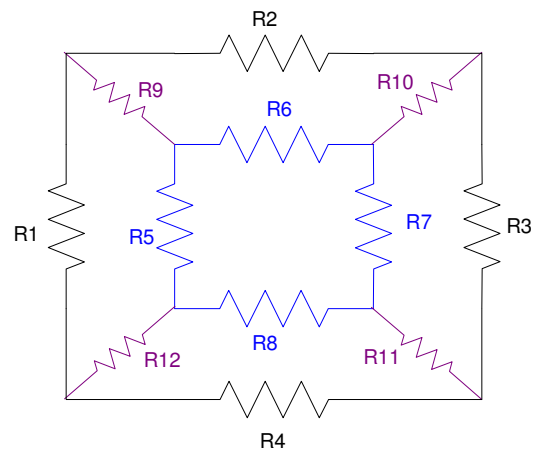
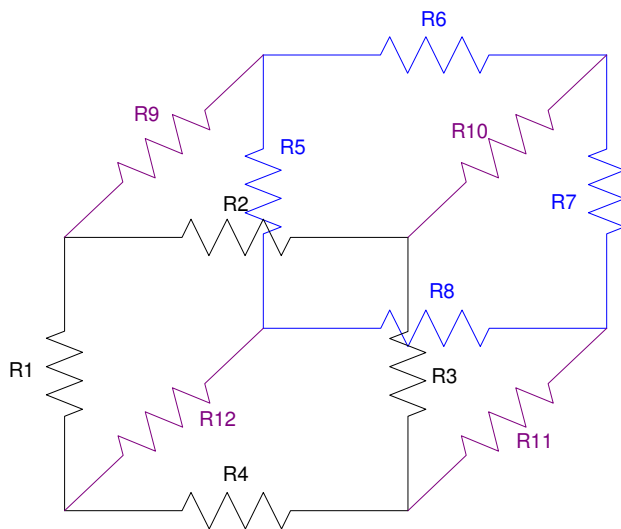
# EE 206: Lab #1

Resistor Cube: 2 people per group

## Resistor Cube.

Build a resistor cube and label it. We'll be using it in the following labs

	R1	R2	R3	R4	R5	R6
color code						
value						
	R7	R8	R9	R10	R11	R12
color code						
value						



Resistor Cube: Each group builds one resistor cube to be used throughout this semester  
 Left: Orthographic Projection. Right: Equivalent circuit

Resistor Color Codes: red - orange - yellow =  $24 \times 10^4 = 240k$

black	brown	red	orange	yellow	green	blue	violet	grey	white
0	1	2	3	4	5	6	7	8	9
x1	x10	x100	x1e3	x1e4	x1e5	x1e6	x1e7	x1e8	x1e9