

EE 206: Homework #10

Thevenin Equivalents and Op-Amps with Phasors. Due Monday, November 16th

Please make the subject "EE 206 HW#10" if submitting homework electronically to lauren.n.singelmann@ndsu.edu (or on blackboard)

Thevenin Equivalent with Phasors:

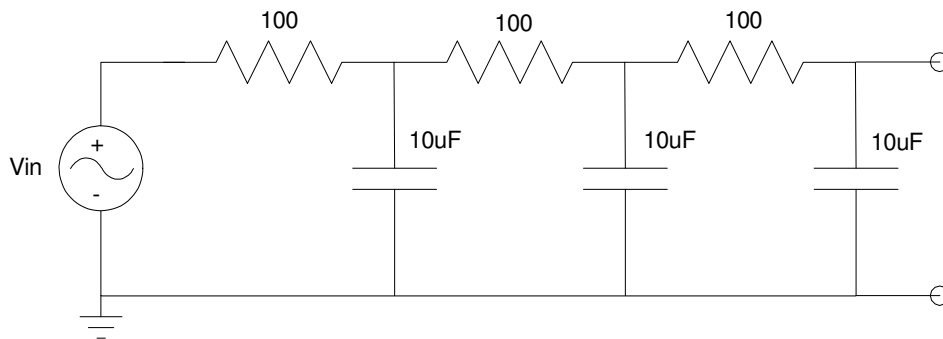
Problem 1) Assume

$$V_{in} = 10 \sin(100t)$$

Determine the Thevenin equivalent of the following circuit:

Problem 2) Determine the load (Z_L) which maximizes the power to the load

- What is the maximum power you can get out of this circuit?



Problem 1 & 2

Op-Amps with Phasors

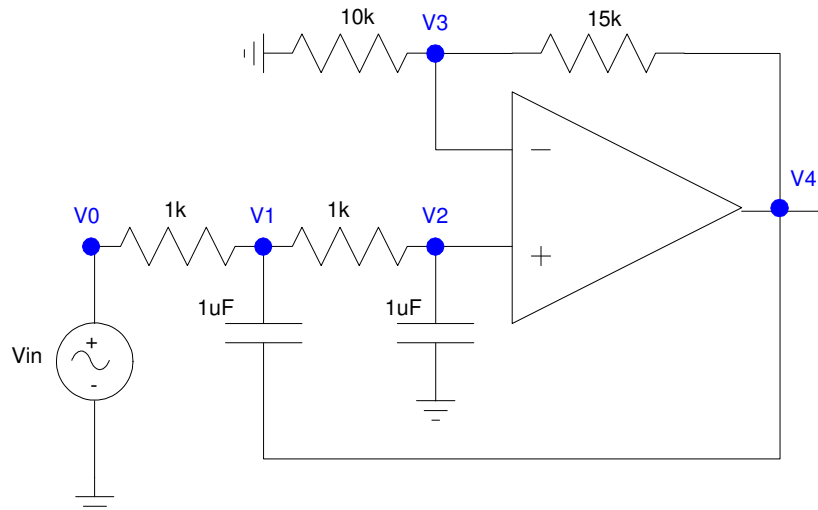
Problem 3 Assume

$$V_{in} = 10 \sin(70t) + 12 \cos(70t)$$

Determine V_1 .. V_4

Problem 4) Simulate this circuit in CircuitLab.

- From a time domain simulation, verify the amplitude of the voltages match (or do not match) your calculations in problem #3



Problem 3 - 4