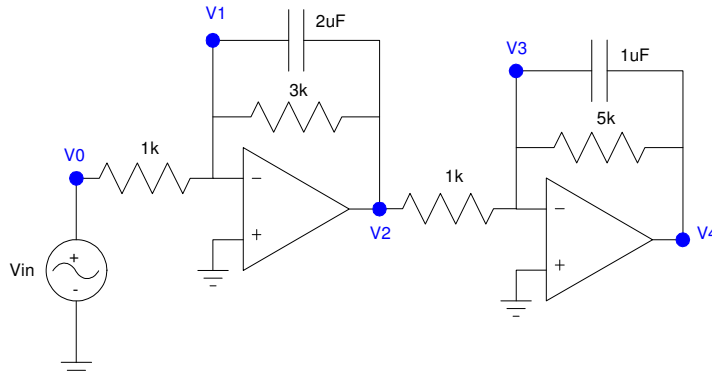


OpAmp Circuits with Phasors

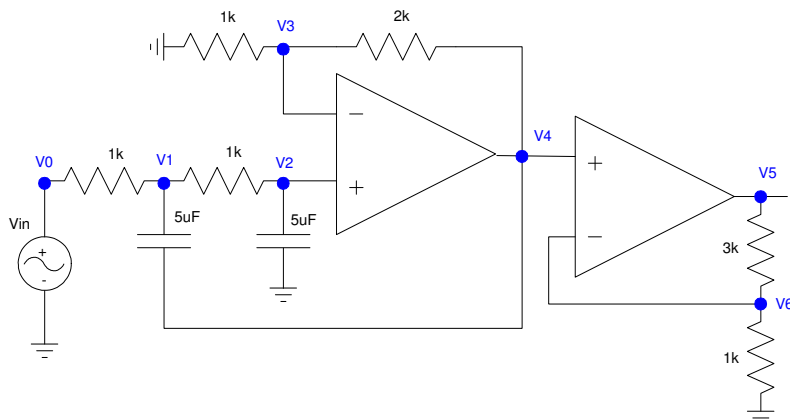
For all problems, assume

$$V_{in} = 5 \cos(400t) + 3 \sin(400t)$$

1) Write the voltage node equations for the following op-amp circuit.



2) Write the voltage node equations for the following op-amp circuit



3) Write the voltage node equations for the following op-amp circuit

