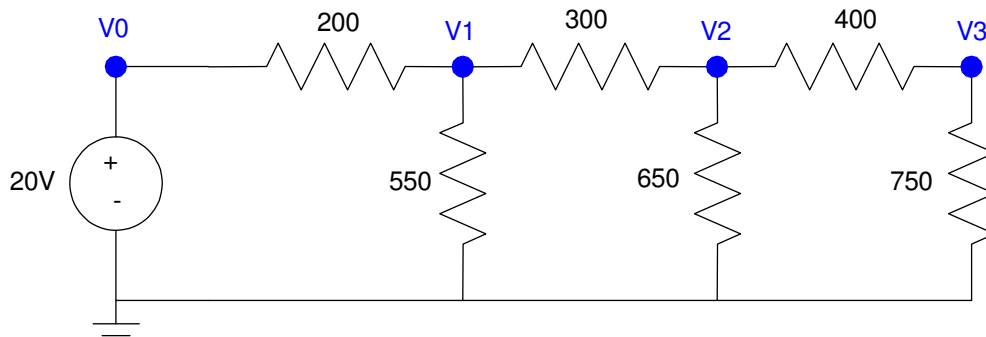


Voltage & Current Division

Determine V_0 , V_1 , V_2 , V_3 by voltage division



Determine I_1 , I_2 , I_3 , I_4 by current division

