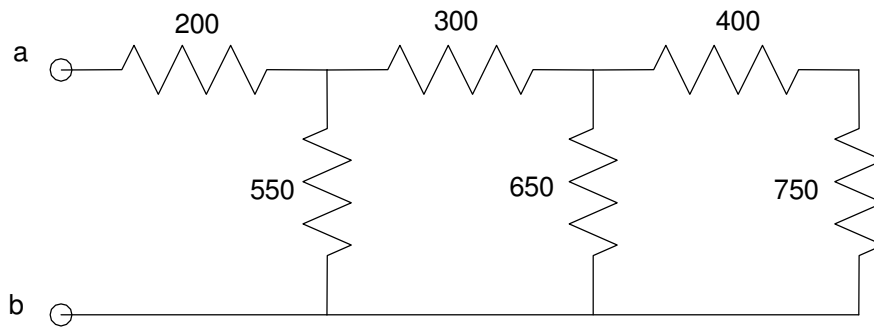


Resistors in Series and Parallel

Determine R_{ab}



Determine R_{ab}

