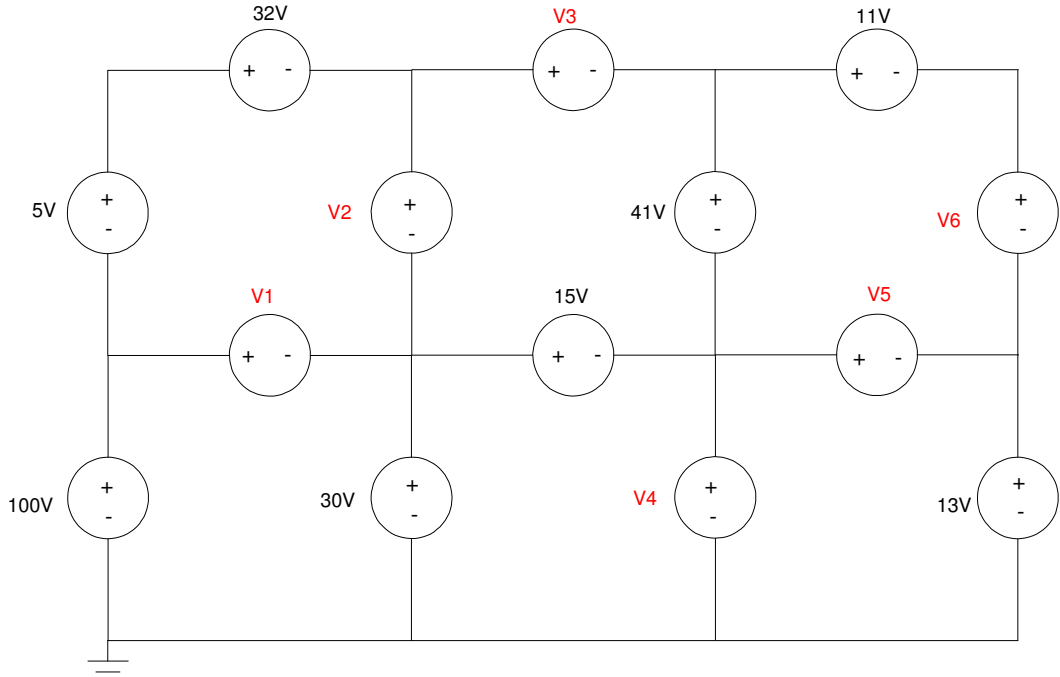
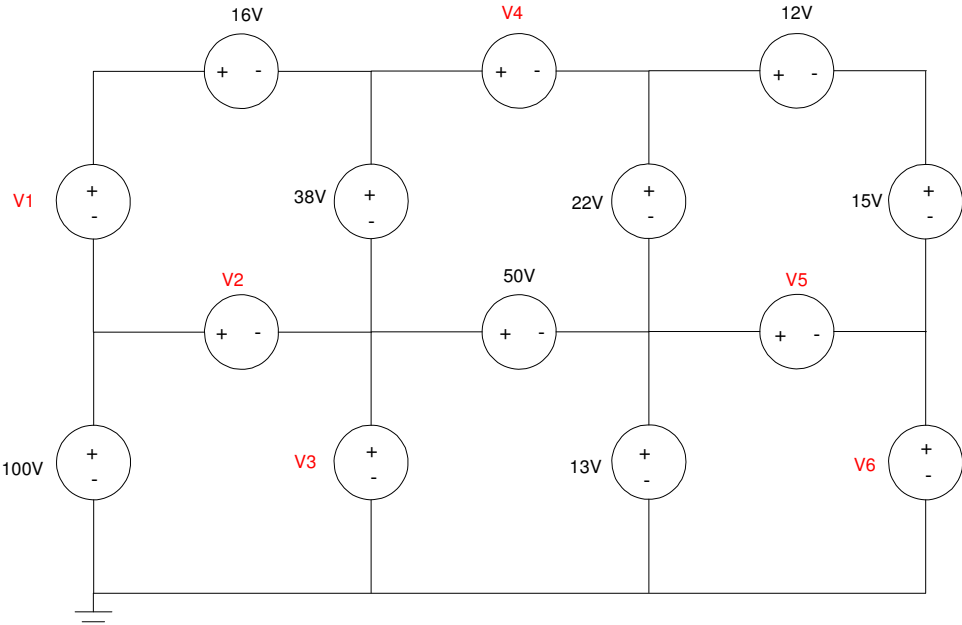


2. Kirchoff's Laws

Use conservation of voltage to determine the unknown voltages



4) Use conservation of current to determine the unknown currents

