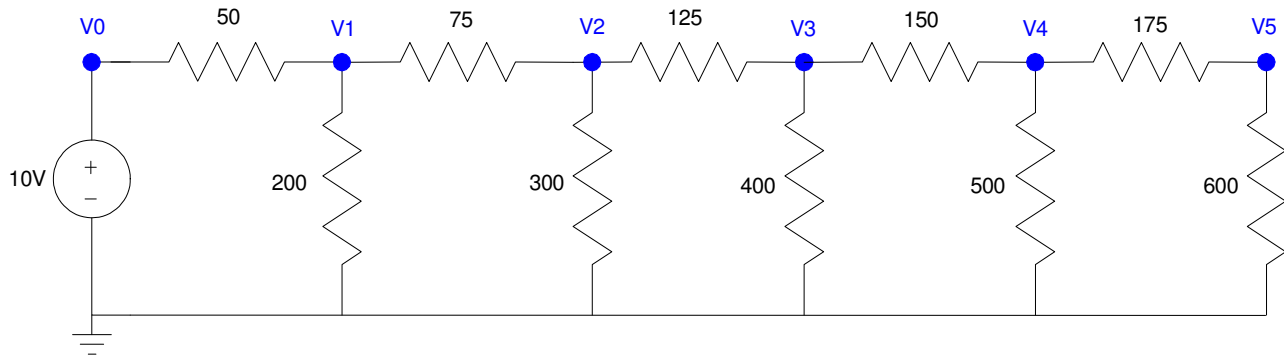


ECE 111 - Homework #9

EE 206 Circuits I - Due Monday, March 18th

Voltage Nodes

- 1) Use Voltage Nodes write N equations for N unknowns for the following circuit.
- 2) Solve for the node voltages in Matlab.
- 3) Check your answers in CircuitLab



Current Loops

- 4) Use Current Loops to write N equations for N unknowns for the following circuit.
- 5) Solve for the currents in Matlab
- 6) Check your answers in CircuitLab.

