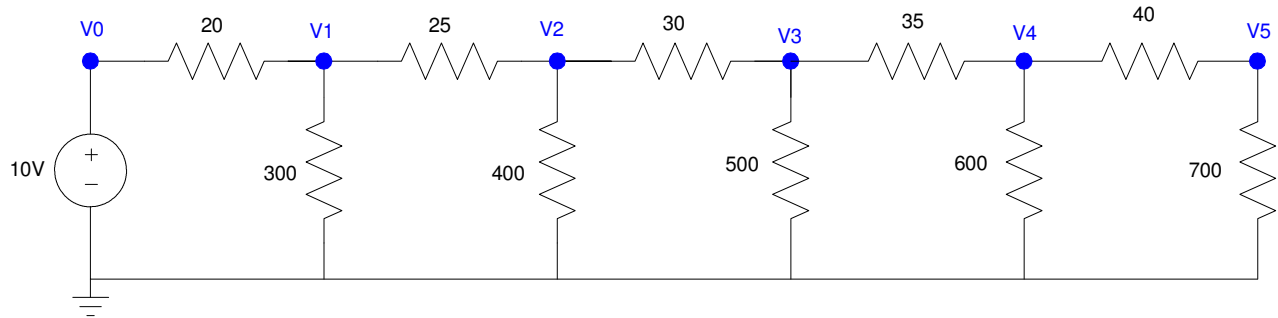


# ECE 111 - Homework #6

Week #6: EE 206 Circuits I - - Due 11am Tuesday, October 4th

- 1) Use Voltage Nodes write  $N$  equations for  $N$  unknowns for the following circuit.
- 2) Solve for the node voltages in Matlab.
- 3) Check your answers in CircuitLab



- 4) Use Current Loops to write  $N$  equations for  $N$  unknowns for the following circuit.
- 5) Solve for the currents in Matlab
- 6) Check your answers in CircuitLab.

